

SONANCE[®] PROMMERCIAL[™] SPEAKERS CB1070V INDOOR/ OUTDOOR

Key Features:

- Wide dispersion design, maximum coverage using less speakers
- 70/100 volt or 8 ohm operation is standard on every model of the Sonance Prommercial line.
- Speakers are packaged with grilles and C-brackets for fast and easy installation

The Sonance Prommercial series brings the quality and reliability of Sonance, The Leader in Architectural Audio[™], to the commercial audio industry.

High power handling, wide on and off axis frequency response and low distortion allow the CB1070V to be used in the most demanding applications.

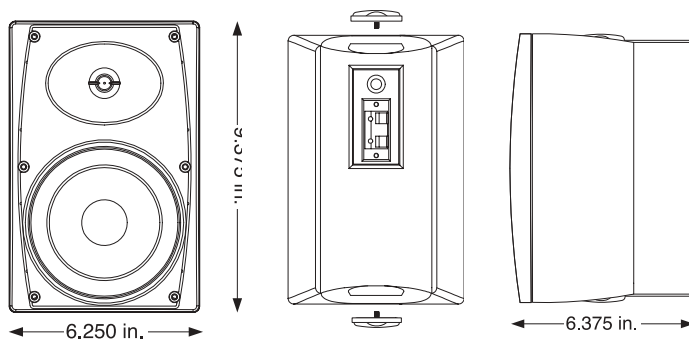
A rotary switch accessible on the rear of the CB1070V allows selection of 70 volt, 100 volt or 8 ohm. One model is suitable for any type of installation.

The 5.25" woofer features a polypropylene cone and a rubber surround. A 1" aluminum voice coil former and high temperature adhesives are used for long term high power handling. The pole piece of the woofer is vented for additional cooling and to reduce distortion. A sealed enclosure is used for its superior power handling and shallower 12 dB per octave low frequency roll off. The tweeter in the CB1070V is a 5/8" cloth dome.

The highest fidelity is ensured with the use of any of the Sonance Prommercial series of speakers.

Applications:

- Foreground music
- Public address
- Airports
- Hotels
- Boardrooms
- Cruise ships
- Houses of worship
- Paging
- Casinos
- Convention Centers
- Restaurants
- Offices
- Retail stores



SPECIFICATIONS:

Sonance Prommercial CB1070V

Tweeter: 5/8" (16mm) Cloth dome

Woofer: 5.25" (133mm) Polypropylene cone with a rubber surround

Frequency Range: 55 Hz to 20 kHz - 10dB

Nominal Sensitivity: 89 dB 1w 1m

Nominal Coverage angle: 120.0 degrees horizontal
90.0 degrees vertical

Transformer Taps: 70 volt - 30W, 15W and 7.5W
100 volt - 30W, 15W and 7.5W

Power Capacity: 100 watts maximum program power,
50 watts continuous Pink noise

Enclosure: Baffle: White ABS

Grille: Paintable weather resistant aluminum

Termination: Push to connect terminal on back of speaker

Speaker Dimensions: (WxHxD) 6-1/4" (159mm) x 9-3/8" (238mm)
x 6-3/8" (162mm)

Product Weight: 5.0 lbs (2.27 kg) each

Shipping Weight: 10.0 lbs (4.54 kg) per pair

Included Accessories: C - bracket

All specifications are subject to change.