

SONANCE[®] PROMMERCIAL™ SPEAKERS R670V IN-CEILING

Key Features:

(common to all Sonance Prommercial ceiling models)

- Wide dispersion design, maximum coverage using less speakers
- Meets UL and NFPA regulations for air handling spaces.
- 70/100 volt or 8 ohm operation is standard on every model of the Sonance Prommercial line.
- Transformer taps adjustable from front baffle
- Speakers are packaged with grille, back can and tile rails for fast and easy installation

The Sonance Prommercial series brings the quality and reliability of Sonance, The Leader in Architectural Audio™, to the commercial audio industry.

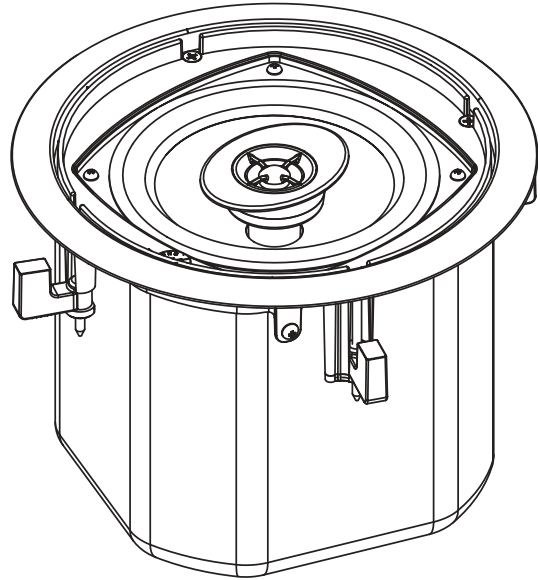
High power handling, wide on and off-axis frequency response and low distortion allow the R670V to be used in the most demanding applications.

A rotary switch accessible on the front baffle of the R670V allows selection of 70 volt, 100 volt or 8 ohm. One model is suitable for any type of installation.

The 6-1/2" woofer features a polypropylene cone and a rubber surround. A one inch aluminum voice coil former and high temperature adhesives are used for long term high power handling. The pole piece of the woofer is vented for additional cooling and to reduce distortion. The woofer is mounted in a sealed deep drawn steel enclosure. A sealed enclosure is used for its superior power handling and shallower 12 dB per octave low frequency roll off.

The tweeter in the R670V is a coaxially mounted 5/8" cloth dome. The tweeter is mounted on a small baffle to allow a low crossover frequency to the woofer providing smooth off-axis frequency response.

Input connection is accomplished quickly using an included removable connector. The removable connector allows systems to be pre-wired before installation of the speakers.



Speaker baffles and grilles are paintable to match any decor. A paint plug is included with all ceiling speakers.

The entire installation can be accomplished without access behind the ceiling. Tile rails and a C-shaped support are included with each speaker. The speakers include four mounting feet that firmly attach the speaker to the ceiling surface.

The highest fidelity is ensured with the use of any of the Sonance Prommercial series of speakers.

Applications:

- Foreground music
- Public address
- Airports
- Hotels
- Boardrooms
- Cruise ships
- Houses of worship
- Paging
- Casinos
- Convention Centers
- Restaurants
- Offices
- Retail stores

SPECIFICATIONS:

Sonance Prommercial R670V

Tweeter: 5/8" (16mm) Cloth dome

Woofers: 6.5" (165mm) Polypropylene cone with a rubber surround

Frequency Range: 65 Hz to 20 kHz - 10dB

Nominal Sensitivity: 89 dB 1w 1m

Nominal Coverage angle: 120.0 degrees conical

Directivity Factor: 4.25 averaged from 100 Hz to 10 kHz

Directivity Index: 5.45 averaged from 100 Hz to 10 kHz

Transformer Taps: 70 volt - 60W, 30W, 15W and 7.5W
100 volt - 60W, 30W, 15W and 7.5W

Power Capacity: 140 watts maximum program power,
70 watts continuous Pink noise

Enclosure: Back Can, Deep drawn steel

Baffle: ABS meets UL94V-0 fire rating

Grille: Paintable weather resistant aluminum

Termination: Locking removable quick connect with two input terminals and two loop through terminals

Speaker Dimensions: 9.75" (248mm) x 7.51" (191mm)

Cutout Dimensions: 8.16" (207mm) diameter

Product Weight: 8.0 lbs (3.63 kg) each

Shipping Weight: 19.0 lbs (8.61 kg) per pair

Included Accessories: C - support plate

2 international compatible
tile support rails

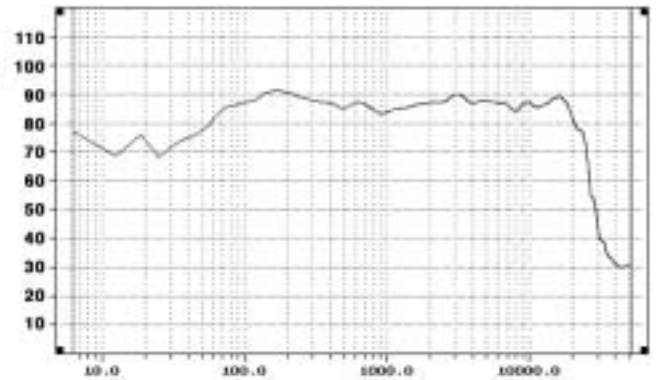
Cut-out template

Paint plug

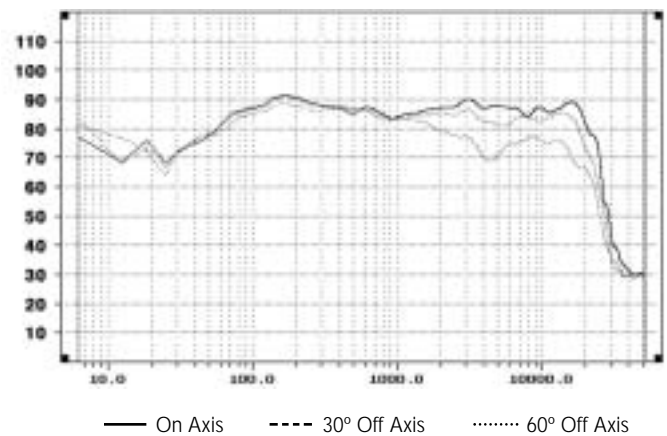
Removable quick connect
wire terminator

Certifications: UL-94V-0 CE
UL-2043 NFPA-70
UL-1480 NFPA-90A

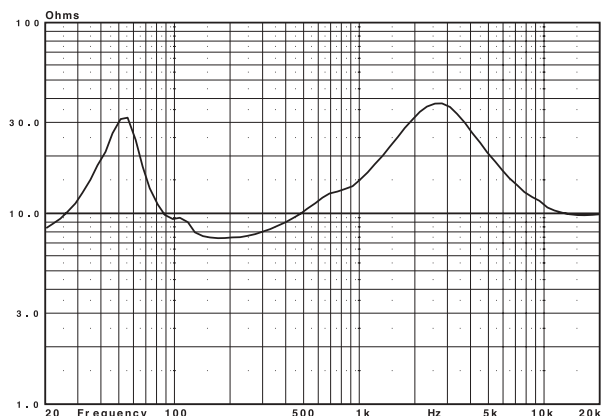
On Axis SPL



Off Axis SPL

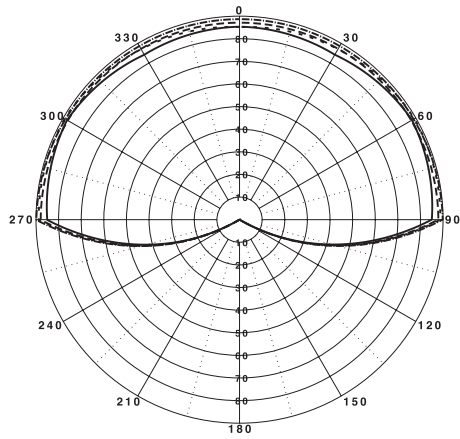


Impedance

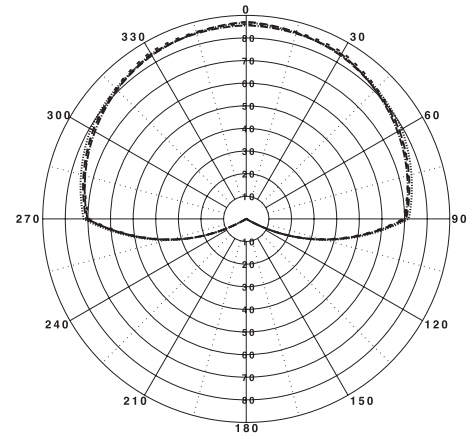


Frequency response curves are measured at a distance of 1 meter with 1 watt of input in a half space environment.

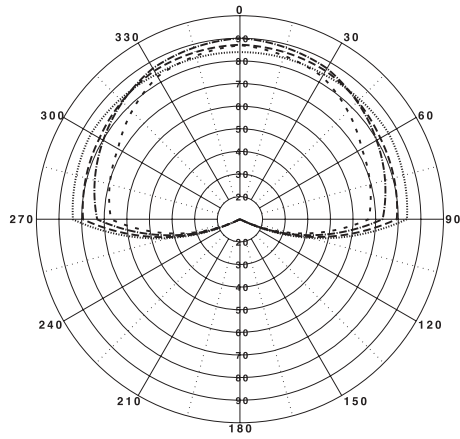
1/3 OCTAVE POLAR



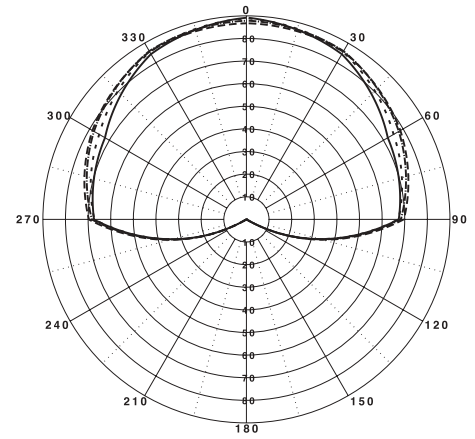
FreqHz	Deg	Q	DI dB
100.0	185	1.8	2.5
250.0	185	1.8	2.7
500.0	186	1.0	0.1
750.0	185	1.7	2.3



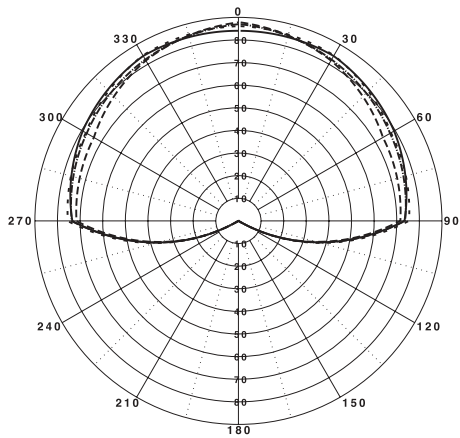
FreqHz	Deg	Q	DI dB
9.0k	100	5.4	7.4
10.0k	87	6.0	7.8
11.0k	100	4.6	6.7
12.0k	104	4.5	6.5



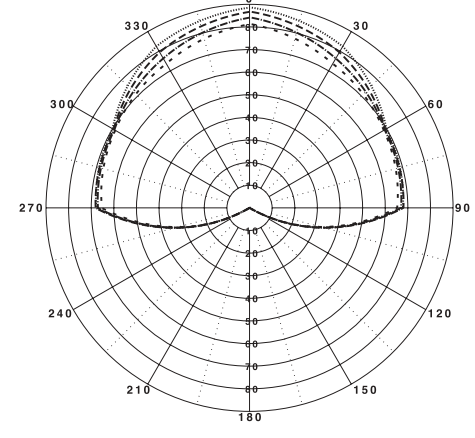
FreqHz	Deg	Q	DI dB
1.0k	185	1.7	2.2
2.0k	136	3.8	5.8
3.0k	85	5.9	7.7
4.0k	72	7.3	8.6



FreqHz	Deg	Q	DI dB
13.0k	103	4.5	6.5
14.0k	91	5.3	7.2
15.0k	76	6.7	8.3
16.0k	67	8.2	9.1



FreqHz	Deg	Q	DI dB
5.0k	61	8.6	9.3
6.0k	78	6.6	8.2
7.0k	100	4.6	6.6
8.0k	134	3.3	5.1



FreqHz	Deg	Q	DI dB
17.0k	60	9.5	9.8
18.0k	51	10.3	10.1
19.0k	47	10.4	10.2
20.0k	48	9.7	9.9

Architectural Specifications R670V:

The loudspeaker shall be of the two way type comprising a single flush mount enclosure containing one 6.5" (165mm) low frequency transducer and one coaxially mounted 5/8" (16mm) high frequency transducer.

Frequency response shall be 65-20,000 Hz. Total power handling shall be 70 watts RMS and 140 watts program. Sensitivity measured with 2.83 volts input at 1 meter on axis averaged between 65-20,000 Hz shall be 89 dB. The unit shall be supplied with a line matching transformer suitable for 100 volt or 70 volt with a front mounted control allowing user selectable power taps of 60W, 30W, 15W, 7.5W and a 8 ohm bypass.

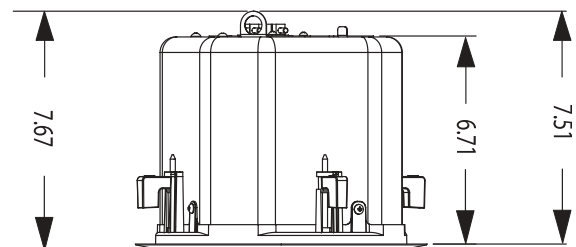
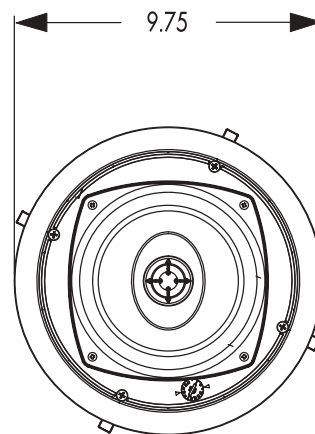
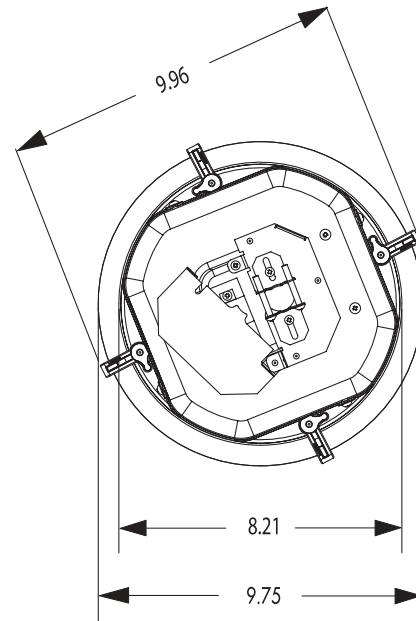
The back can shall be constructed from deep drawn steel. The baffle shall be injection molded using fire rated ABS that meets UL94V-0. Wire shall be terminated in an enclosed area on the rear of the back can. Strain relief shall be provided for wire or 1/2" (13mm) solid or flexible conduit. A support hook shall be provided on the rear of the back can to allow additional support when necessary.

The system shall include a support backing plate to reinforce the ceiling material and tile support rails which can all be installed from beneath the ceiling tile.

External dimensions shall be 9.75" (248mm) in diameter x 7.51" (191mm) mounting depth. The total enclosure shall weigh 8 lbs. (3.63 kg) per unit.

The loudspeaker shall be the Sonance Prommercial R670V. No other system shall be acceptable unless the above combined performance specifications are equaled for exceeded.

Specifications are subject to change.



The Leader in Architectural Audio™

www.sonance.com

Sonance • 212 Avenida Fabricante • San Clemente, CA 92672-7531 • (800) 582-7777 (949) 492-7777 • FAX (800) 538-5151 (949) 361-5151
©2003 Sonance, all rights reserved. 2.03